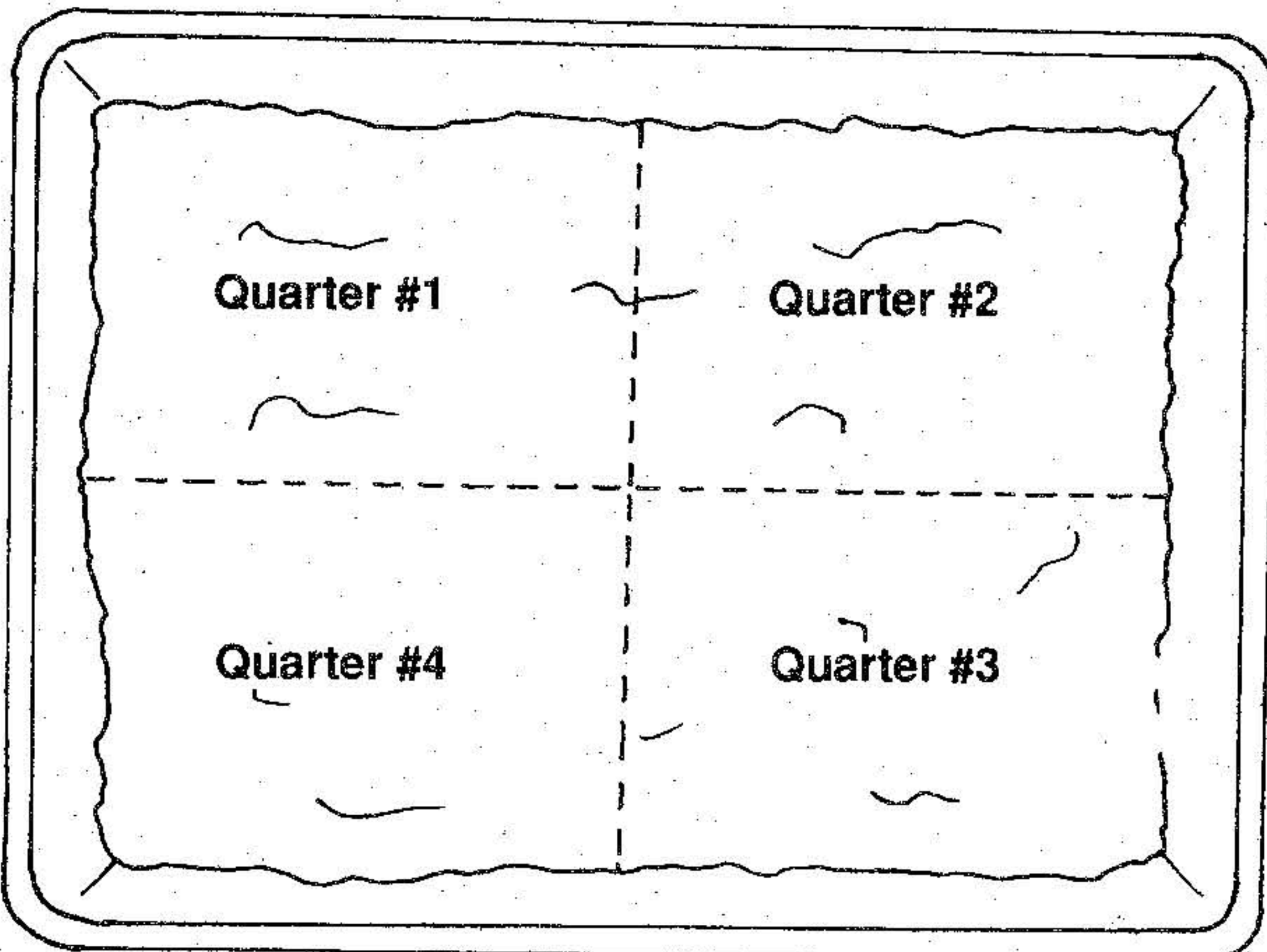
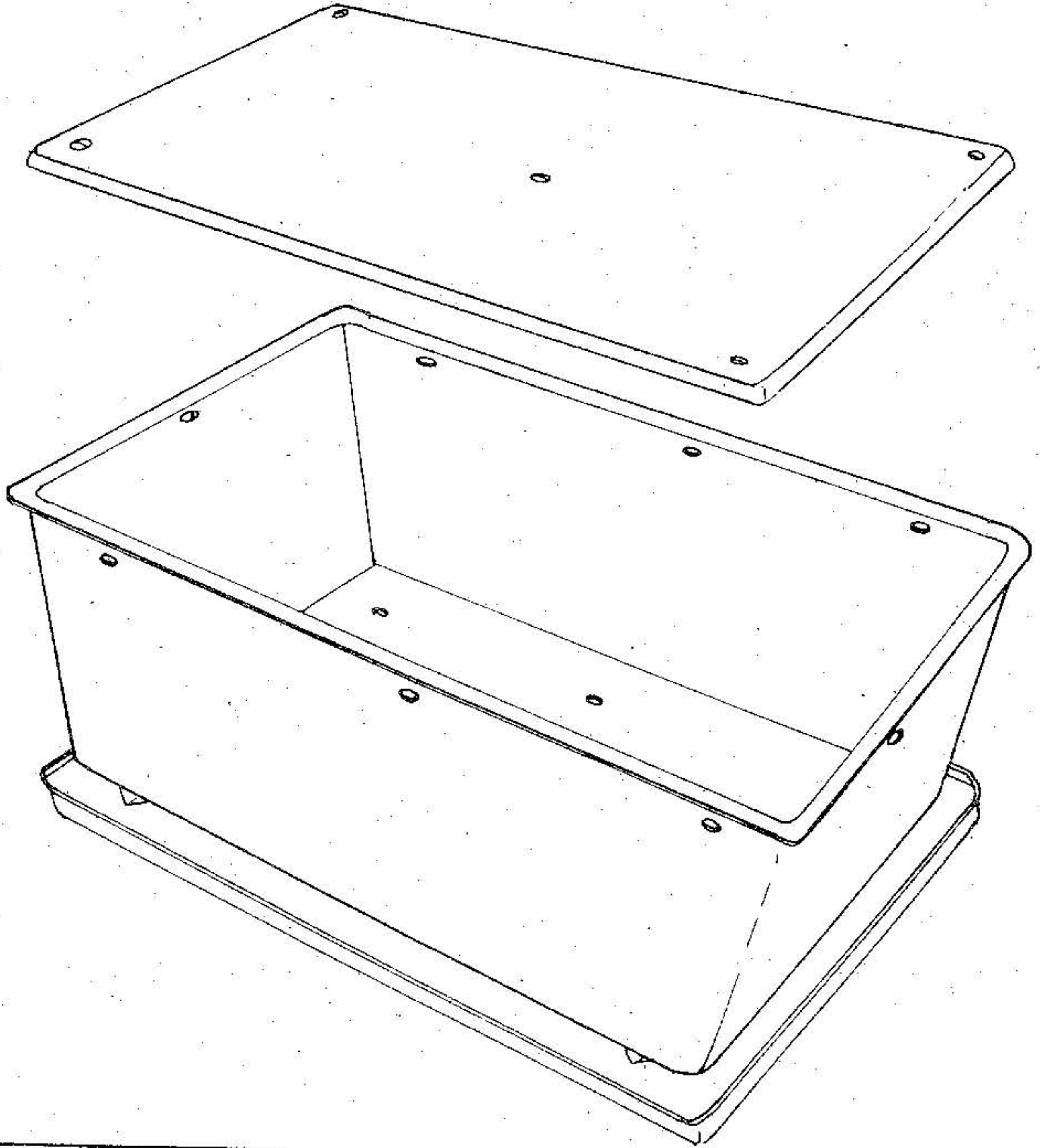


Worm Power

Make sure that the container you use has a lid and that the sun cannot shine through it. Also make sure that the container does not touch the surface of the tray. This can be done by placing four equal sized corks or pieces of wood under the four corners of the container.



When feeding the worms put the food into a different quarter each time. To remember which quarter was last used you can mark it with a paper clip or something similar.